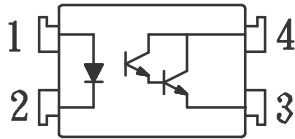


Schematic:



For dimensions and pin-outs, see the last page of this document.

Features:

1. High current transfer ratio
(CTR: 500-7500% at $I_F=2mA$, $V_{ce}=1V$)
2. High isolation voltage between input and output
(Viso:5300Vrms).
3. Compact dual-in-line package.

Ordering:

Suffix to Standard Part Number

- V = VDE Compliant
- G = 10mm Lead Spread
- S = Surface Mount Lead-form
- T = Tape & Reel

Superior OPTO Part Number:

OPTO420

Absolute Maximum Ratings:

(Ta=25°C)

Parameter		Symbol	Rating	Unit
Input	Forward current	I_F	50	mA
	Peak forward current	I_{FM}	1	A
	Reverse voltage	V_R	6	V
	Power dissipation	P_D	70	mW
Output	Collector-emitter voltage	V_{CE0}	35	V
	Emitter-collector voltage	V_{ECO}	6	V
	Collector current	I_C	80	mA
	Collector power dissipation	P_C	150	mW
Total power dissipation		P_{tot}	200	mW
Isolation voltage 1 minute		Viso	5300	Vrms
Operating temperature		T_{opr}	-55 to +100	°C
Storage temperature		T_{stg}	-55 to +125	°C
Soldering temperature 10 second		T_{sol}	260	°C

Electrical Characteristics:

(Ta=25°C)

Parameter		Symbol	Conditions	MIN.	TYP.	MAX.	Unit
Input	Forward voltage	V_F	$I_F=20mA$	—	1.2	1.4	V
	Peak forward voltage	V_{FM}	$I_{FM}=0.5A$	—	—	3.0	V
	Reverse current	I_R	$I_R=4V$	—	—	10	μA
	Terminal capacitance	C_t	$V=0, f=1kHz$	—	30	250	pF
Output	Collector dark current	I_{CEO}	$V_{CE}=10V, I_F=0$	—	—	1.0	μA
Transfer characteristics	Current transfer ratio	CTR	$I_F=2mA, V_{CE}=1V$	500	—	7500	%
	Collector-emitter saturation voltage	$V_{CE(sat)}$	$I_F=2mA, I_C=10mA$	—	0.8	1.0	V
	Isolation resistance	Riso	DC500V, 40 to 60% RH	5×10^{10}	—	—	ohm
	Floating capacitance	C_f	$V=0, f=1MHZ$	—	0.6	1.0	pF
	Cut-off frequency	f_c	$V_{CC}=2V, I_C=20mA, R_L=100ohm$	1	6	—	kHz
	Response time (Rise)	t_r	$V_{CE}=2V, I_C=20mA, R_L=100ohm$	—	100	300	μs
Response time (Fall)	t_f	—		100	250	μs	

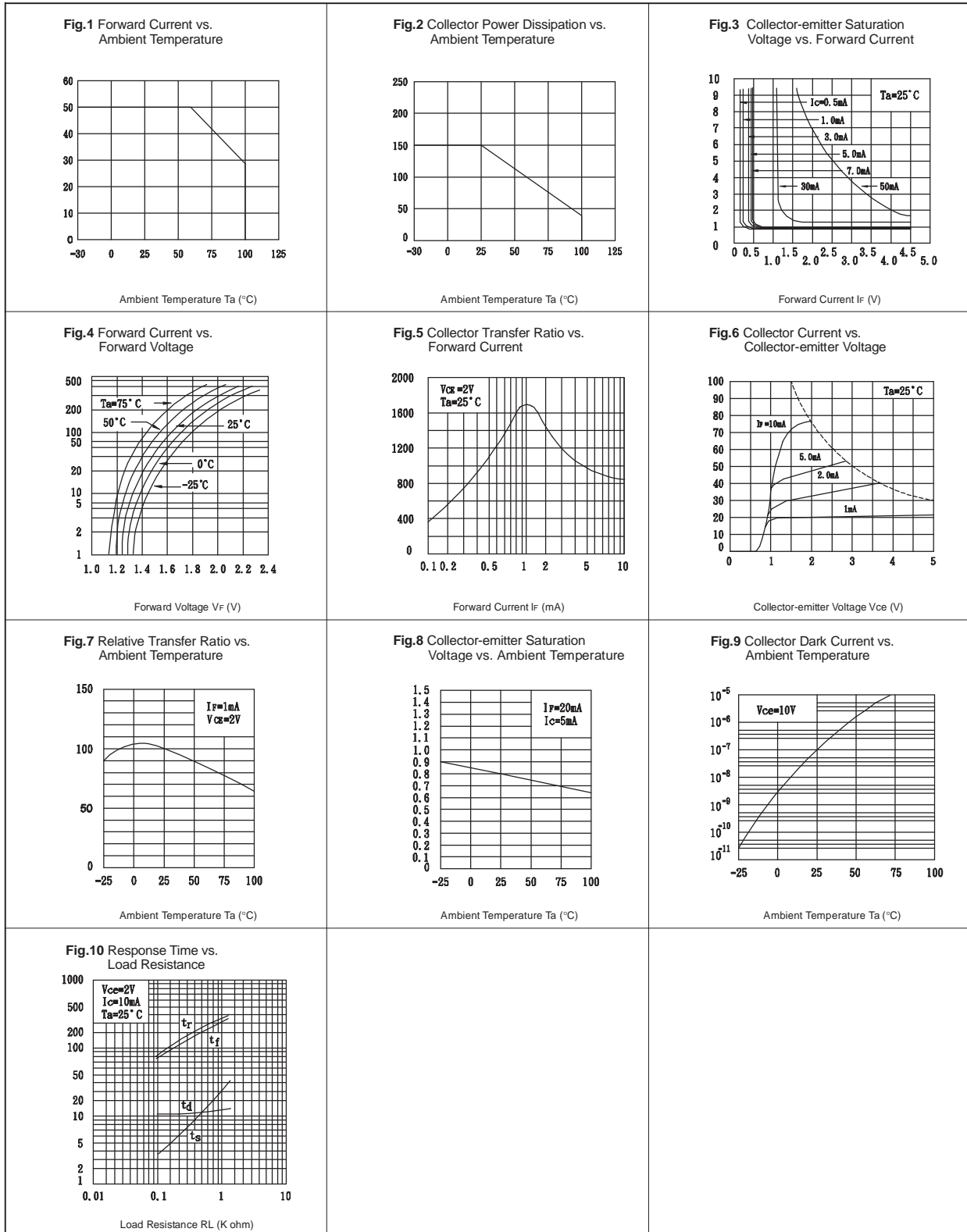


Fig.1 : 4-pin DIP type

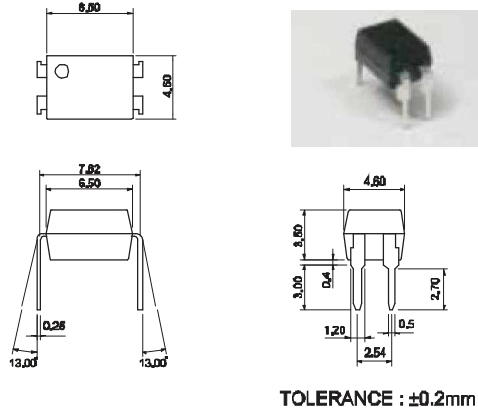


Fig.2 : 4-pin SMD type

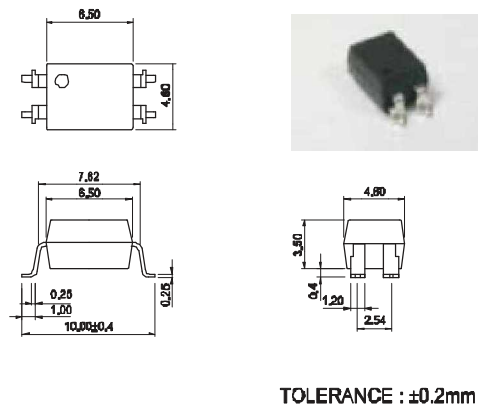


Fig.3 : 4-pin G type

